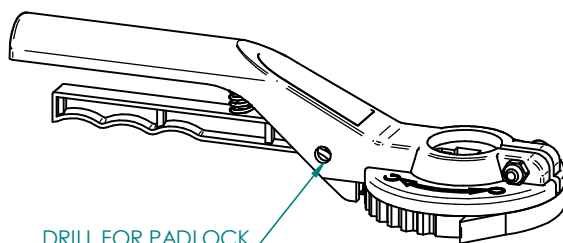
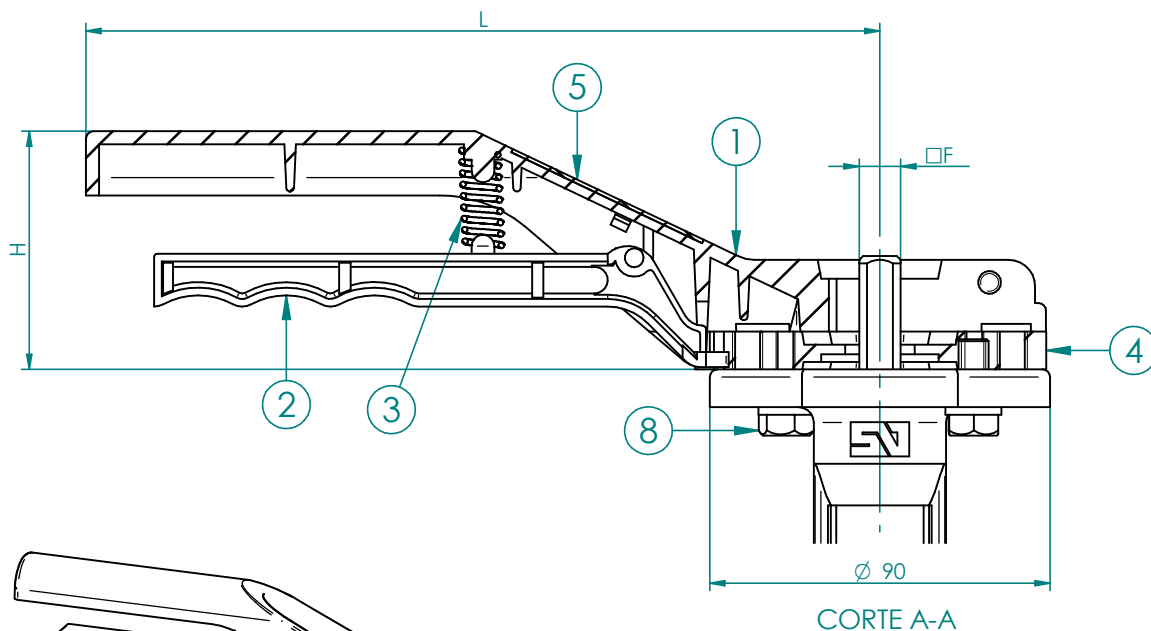


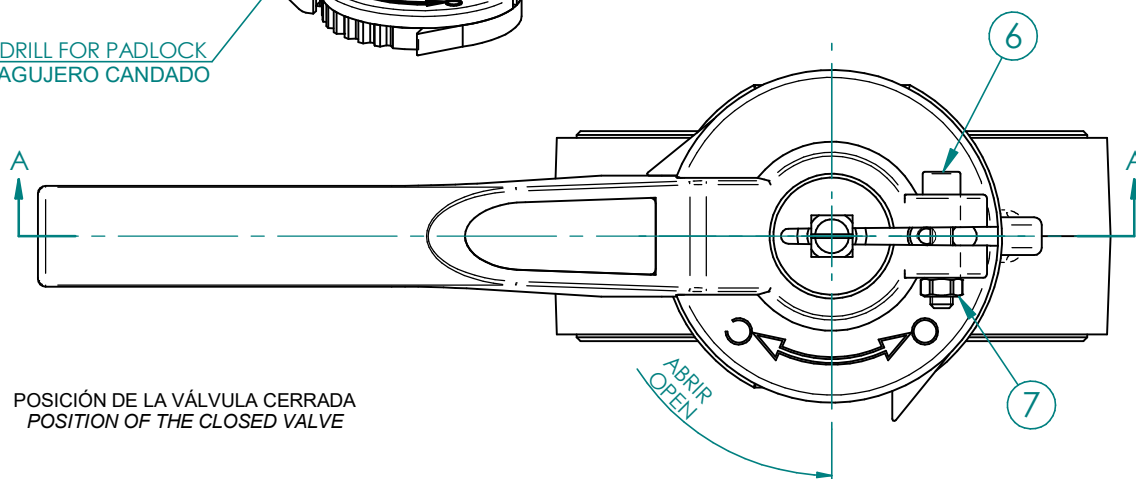


ACTO. PALANCA TIPO "MN" DN.32/200 - DIM. GENERALES

"MN" HANDLEVER DN.32/200 - GENERAL DIMENSIONS

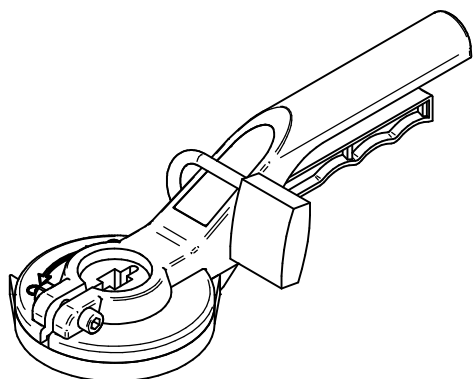


DRILL FOR PADLOCK
AGUJERO CANDADO



POSICIÓN DE LA VÁLVULA CERRADA
POSITION OF THE CLOSED VALVE

VÁLVULA VALVE	F	L	H	kg
DN 32-100	11	210	63	0.40
DN 125-150	14	210	63	0.40
DN 125-150	14	340	72	0.94
DN 200	17	340	72	0.94



8	TORNILLO C/ ALLEN DIN 933 M8X20 ALLEN SCREW DIN 933 M8X20	ACERO CINCADO ZINC PLATED STEEL	2
7	TUERCA DIN 934 M6 NUT DIN 934 M6	ACERO INOXIDABLE AISI 304 STAINLESS STEEL AISI 304	1
6	TORNILLO C/ ALLEN DIN 912 M6X20 ALLEN SCREW DIN 912 M6X20	ACERO INOXIDABLE AISI 201 STAINLESS STEEL AISI 201	1
5	TAPA TOP	ABS ABS	1
4	BRIDA ENCLAVAMIENTO INTERLOCKING FLANGE	ALUMINIO, A380 + EPOXY ALUMINIUM, A380 + EPOXY	1
3	MUELLE SPRING	ACERO INOXIDABLE AISI 304 STAINLESS STEEL AISI 304	1
2	GATILLO TRIGGER	ALUMINIO, A380 + EPOXY ALUMINIUM, A380 + EPOXY	1
1	BRAZO DE PALANCA LEVER ARM	ALUMINIO, A380 + EPOXY ALUMINIUM, A380 + EPOXY	1
POS ITEM	DESIGNACIÓN DESIGNATION	MATERIAL MATERIAL	CANT QUAN